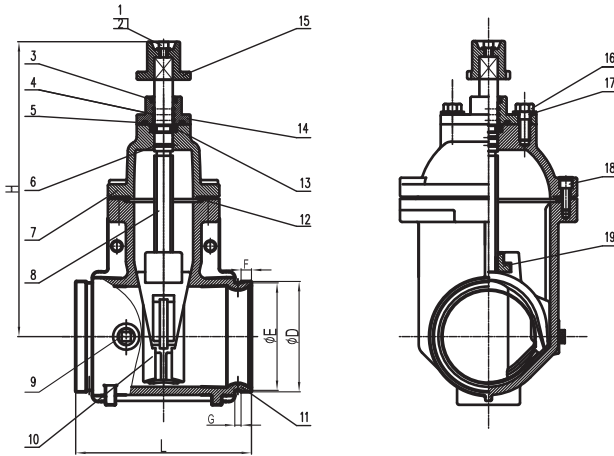
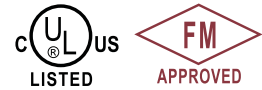




AWWA C515 Grooved Resilient NRS Gate Valve
300PSI (JKDZ85-300A)



MATERIAL SPECIFICATION

PART NO.	Description	Material Specification	Options
1	Flat Washer	1045 ASTM A29 Galvanized	Stainless Steel 304 ASTM A276
2	Hexagon Socket Screw	1045 ASTM A29 Galvanized	Stainless Steel 304 ASTM A276
3	Seal Ring	EPDM ASTM D2000	
4	O-Ring	EPDM ASTM D2000	
5	Seal Ring	EPDM ASTM D2000	
6	O-Ring	EPDM ASTM D2000	
7	Bonnet	Ductile Iron ASTM A536	
8	Stem	Stainless Steel 304 ASTM A276	ASTM B148 C95400
9	Plug	Stainless Steel 304 ASTM A276	ASTM B148 C95400
10	Disc	EPDM ASTM D2000 +DI ASTM A536	
11	Body	Ductile Iron ASTM A536	
12	Seal Ring	EPDM ASTM D2000	
13	Retaining Ring	ASTM B148 C95400	
14	Gland	Ductile Iron ASTM A536	
15	Wrench Nut	Ductile Iron ASTM A536	
16	Bolt	Stainless Steel 304 ASTM A276	1045 ASTM A29 Galvanized
17	Washer	Stainless Steel 304 ASTM A276	1045 ASTM A29 Galvanized
18	Hexagon Socket Screw	Stainless Steel 304 ASTM A276	1045 ASTM A29 Galvanized
19	Stem Nut	Stainless Steel CF8 ASTM A351	ASTM B148 C95400

Note: For special material request other than standard specification, please indicate clearly on the inquiry or order list.

Item No.	Size	Dimensions(Inch)							
		L	F	D		E		G	H
JKDZ85-300A25	2.5"	7.480	0.625	2.996	2.875	2.845	2.720	0.312	11.496
JKDZ85-300A03	3"	7.992	0.625	3.500		3.344		0.312	12.677
JKDZ85-300A04	4"	9.016	0.625	4.500		4.334		0.375	13.465
JKDZ85-300A05	5"	10.000	0.625	5.563	5.500	5.395	5.335	0.375	16.220
JKDZ85-300A06	6"	10.512	0.625	6.625	6.500	6.455	6.330	0.375	17.638
JKDZ85-300A08	8"	11.496	0.750	8.625	8.516	8.441	8.331	0.438	21.024
JKDZ85-300A10	10"	12.992	0.750	10.750		10.562		0.500	25.000
JKDZ85-300A12	12"	14.016	0.750	12.750		12.531		0.500	28.346

- Connection Ends: Groove to AWWA C606
- Working Pressure: 300PSI
- Temperature Range: 32°F-176°F
- Coating: Fusion Bonded Epoxy Coating in accordance with ANSI/AWWA C550